

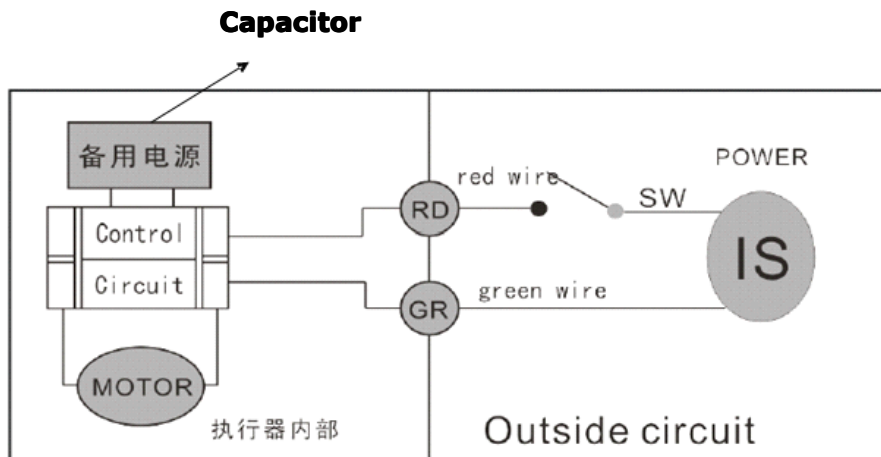


**TOFINE** [www.flow-controls.com](http://www.flow-controls.com) [sales@flow-controls.com](mailto:sales@flow-controls.com)  
**Your Flow Control Specialist In China**

- ◇ High quality but lower price, 11 years experience deserves your trust.
- ◇ **No Time Difference, 24 Hour Service, Respond promptly within 8 hours.**
- ◇ Low delivery cost & Prompt delivery, lower 30~40% on the freight cost.
- ◇ **TOFINE- We are always on your side. Let's work together from now on.**

Mini Motorized Ball Valve Tofine-CWX15Q

Wiring CR04(2 wires), Available Voltage: AC/DC 9-24V, DC5V, AC85-265V,  
Fail-safe function: Normally closed when power cut off,



**Wiring: 2 wires CR04 is wiring with fail-safe function,**

This CR04 valves are normally closed valve, it is motor-driven open by voltage and motor-driven closed by way of a built-in capacitor,

This actuator is designed so that if power is interrupted to the actuator in the mid-operation, the capacitor will power the valve closed and the valve will not hang-up in the partly open position. The capacitor is quick charging and will fully charge the first time power is applied to the actuator,

**Interpretation for the Yellow Label on the actuator**

To guarantee the valve best working performance, please charge & power it at least 2 minutes when you operate it the first time, and the charge time is at least 1 minute during you use the valve frequently.

**Wide Voltage AC85~265V (Actuator Label may show AC110V or 220V)**

Wide Voltage AC/DC 9~24V

Operate carefully especially when voltage is high.

Should you require any additional information, please do not hesitate to ask.

Mrs. Amy Zhang    E: [sales@flow-controls.com](mailto:sales@flow-controls.com)